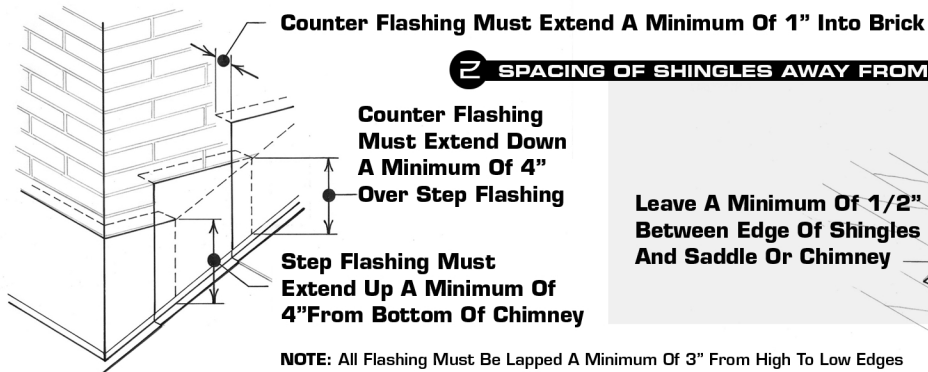




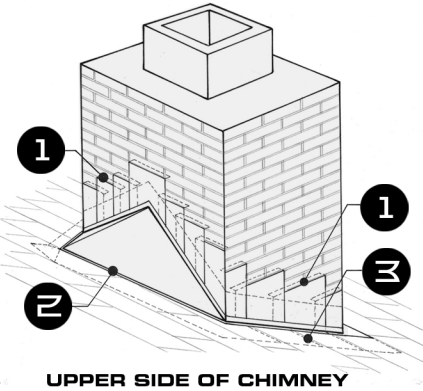
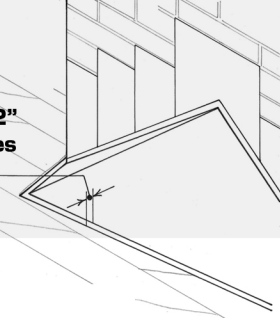
INSTALLATION INSTRUCTIONS *F* LASHING

1 STEP FLASHING AND COUNTER FLASHING



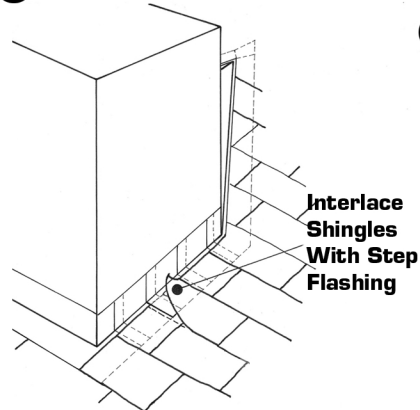
2 SPACING OF SHINGLES AWAY FROM EDGE OF SADDLE

Leave A Minimum Of 1/2" Between Edge Of Shingles And Saddle Or Chimney



LOWER SIDE OF CHIMNEY

3 INTERLACING OF SHINGLES WITH STEP FLASHING



4 STEP AND COUNTER FLASHING AT FRONT OF CHIMNEY

Top Of Counter Flashing Must Extend A Minimum Of 1" Into Brick. Counter Flashing Must Extend Down A Minimum Of 4" From Top Of Step Flashing, And Step Flashing Must Extend Up A Minimum Of 4" From The Bottom Of The Chimney. Bottom Of Flashing Extending A Minimum Of 4" Onto Roof Shingles Will Have A Rolled Edge To Shed Water.

